

# Power Stove

## Instruction manual

### Technical Details

Battery: 5000mAh

Product Size: 18×12×23 cm

Weight: 1.1KG

Device Compatibility: Compatible with most USB charging devices

Boil time: Every 4 minutes to boil 1 liter of water

Power source: Wood powered (sticks, wood pellets...etc.)

Wind Adjustment: Three gear control levels

1. Component: pot holder. 2. Fuel chamber 3 furnace body. 4 Power module. 5. Flame intensity LED indicator. 6. LED indicator for fan speed 7. LED indicator for power supply. 8. Power button. 9. USB charging output. 10. Micro USB charging input. 11 Fold the legs.

2. At home :2 Includes a partially charged onboard 5000 mAh internal battery so you can use it immediately when you buy it back. 1, press the primary power button to check the available battery life, then the power LED indicator will light up. 2. If you want to fully charge your battery before your trip begins, insert the micro USB wire into the USB input port located below the power module and connect it to the power supply. The power LED indicator will start blinking upward in turn until the entire bar turns a steady green color, indicating that the battery is fully charged.

3. Start: "fuel" refers to solid biomass, such as sticks, wood pellet fuel, do not use liquid fuel or charcoal. 1 Insert the power module into the furnace body. 2. Open all legs and lock the power module in place. 3 Place it on level ground, away from any protruding branches to remove dry shrubs from the ground around the stove. 4. Put a small amount of fuel into the fuel chamber, loosely spread, do not block the air outlet. 5. Light the fuel, using a long match or lighter and using the included starter. After 6.10 seconds, press the power button twice to activate the fan to the start setting (this is the lowest speed and will help the oxygen flow). Note: Pressing the power button once will activate the battery indicator. Press twice for fan and airflow control. Then every time you press the button you can adjust the fan speed to 3rd gear.

4. Burn: Add large chunks of dried fuel to your fire. At this point, you can press the power button to increase airflow and make the fire burn harder. The blue LED indicator is located in the middle of the PSU and shows the current fan speed. The fiercer the fire, the more power the thermoelectric generator will produce. At its peak, the fuel in the furnace can be filled close to the top of the furnace. Do not exceed the vent at the top of the fuel chamber when filling the fuel. Wood loading beyond the fuel chamber will result in incomplete combustion and may create a burn hazard. Recommended fuels for best flame: advanced food safe wood pellet fuel (solid separate), flammables - dried cuttings, birch bark, split wood - dried twigs. Dry, dense fuels burn at the highest temperature and for the longest time (e.g. oak, maple, or birch). Note: Avoid using wet or damp wood or leaves. These substances produce smoke and burn incompletely.

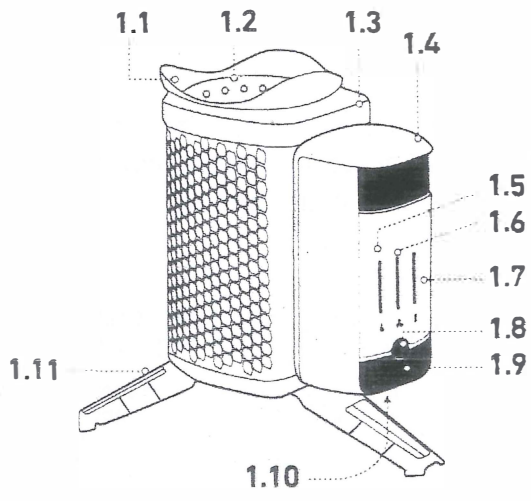
5. Charging :1. Power LED indicator can show how much power is left in the internal battery that can be shared with external devices. When the charging bar is fully lit, it has enough power to fully charge a phone, even if the flame doesn't burn. 2. To charge devices such as mobile phones and LED lights, connect the charging lead of the device to the USB charging output port. Note: When multiple power leds are on, these devices can be charged even if the furnace is not in use. 3. When only one power LED indicator lights up, it will enter the low power mode and will stop charging the output end unless the flame is burning. If the flame is burning, it will charge the external device in a cycle and return the energy generated by the flame in real time to the battery as electrical energy. 4. To ensure maximum continuous charging, keep the flame burning fiercely at all times. The flame intensity indicator directly reflects the amount of power generated. The more lights are on, the more power is generated. Warning: All equipment should be kept away from flames at all times and care should be taken when powering on to avoid contact with hot furnace metal parts. Use Flexlight :1. To use Flexlight at the same time, plug it directly into the USB output port. 2. Bend to the required Angle and click once to switch on the power supply. 3. To dim the light, hold down the top of the Flexlight with your finger until it reaches the desired brightness.

6. Turn off :1 Let the fire burn out and let the ashes cool. For embers that are still burning, pour them into holes dug in the ground, extinguish them with water, and cover them with mud. 2. If no heat is detected, the power module automatically shuts down. To manually power off the power module, hold down the power button for 3 seconds. After the power module is powered off manually, the fan automatically restarts to prevent the power module from being scorched by residual heat. 3. Fold the furnace when the fuel chamber is completely cool: Fold the legs back into place. Warning: Do not pour water into the furnace. Be sure to extinguish the flame completely and bury the burning embers. Burning embers can start a fire!

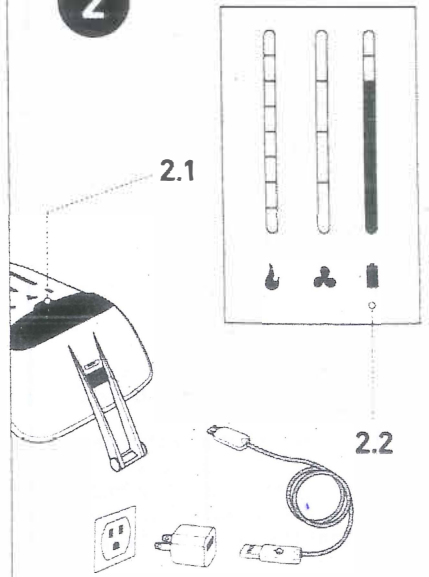
7. Cleaning and maintenance: Remove the power module from the furnace body and wipe it with a damp cloth dipped in soap and water. Do not submerge it in water or make the surface too wet. Clean all ashes from the furnace body and scrub with a nylon brush. Thoroughly in dryness. Store the stove in a cool, dry and well-ventilated place. Avoid storing them in places that are too hot. Keep it out of the reach of children.

Hazard: Carbon monoxide hazard. The furnace is for outdoor use only. Do not use in tents, vehicles, indoors or other places without fresh air. Inhaling carbon monoxide can cause death or brain damage. Carbon monoxide (CO) is produced when fuel is burned. Explosion - Fire Hazard This furnace can only burn solid biomass (e.g. wood, pine cones, etc.). Never add liquids, gels, plastics or other additives to the furnace. The furnace gets hot during use and can ignite flammable materials near the flame. Keep flammable materials at least 18 inches away from the sides of the stove and at least 48 inches away from the top of the stove. Keep the stove away from gasoline and other flammable liquids and vapors. Clean cookware regularly to avoid grease buildup and possible grease fires. The stove must not be allowed to operate unattended. Danger of burning. The metal surface will become hot and burn when the furnace is working. Only the power module can be used to move the furnace. The flame may be very large and should not be left unattended when the furnace is heated or very hot. Do not move while the stove light is on. Keep out of reach of children. Always use on a level surface. The battery is dangerous. Rechargeable batteries in power modules may cause fire, explosion, leakage, or chemical damage if not handled properly. To prevent damage, keep the power module dry to prevent battery corrosion. Always keep the power module and battery away from other heat sources. Do not expose the battery to excessive physical shock, pressure, or vibration and do not attempt to replace the battery yourself. If the battery cannot be charged, please contact for repair information.

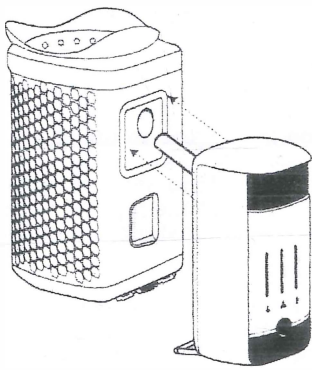
1



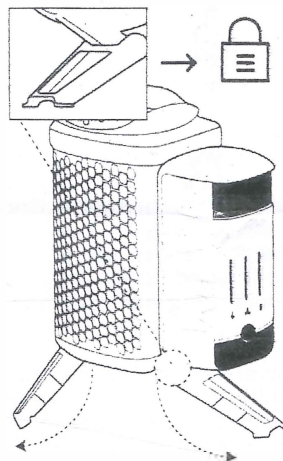
2



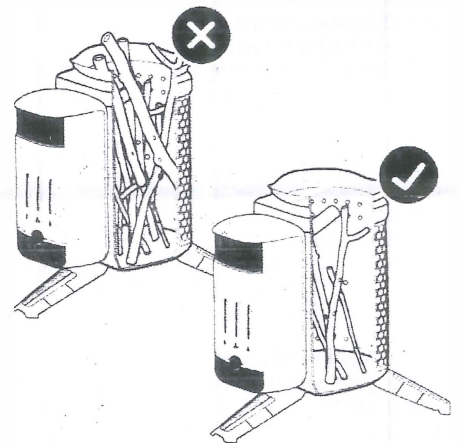
3



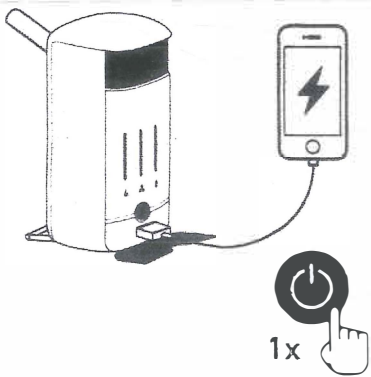
3.1



3.2



3.4



1x

4



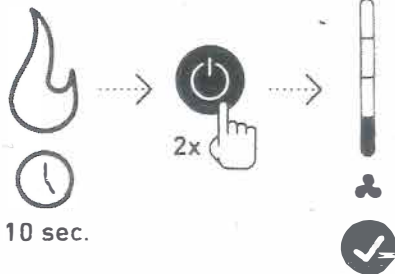
1x



2x



3x



10 sec.

